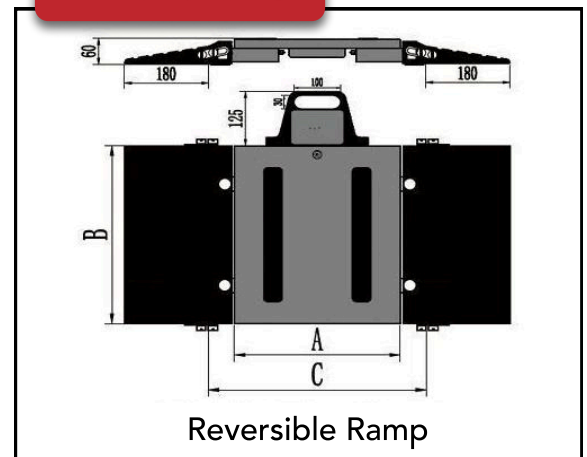


AX-4570

Max Capacity	5t~15t / pad
Division	10kg
Size	450mm x 700mm
Weight (kg)	35kg / pad
Load cells	6

Dimensions:



Types of AXLE WEIGHER

Build-in Display	Wired Indicator	Wireless Indicator
<p>Built-In Display</p>	<p>Indicator</p> <p>Cable</p> <p>Weighing Pad</p>	<p>Indicator</p> <p>Weighing Pad</p>
AX-4570	AX-4570-C	AX-4570-W

Weighing Pad

- wireless weighing plate, suitable for static weighing
- Made of special aluminium, easy to carry and strong in structure, suitable for most working environment
- IP67 1,000Ω high impedance alloy steel load cells
- Can connect up to 6 wireless weighing plate
- Max Transmission distance : 80m
- Built in weighing indicator, Protected by IP67 sealed housing
- Equipped with transmitter and radio modules for data transmission between external devices
- Power supply : Lithium battery (3.7V)
- Special anti-skid rubber at the bottom of the weighing platform
- IP68 connection of Weighing plate, IP68 connector

Display / Indicator

- 6-digit 25mm LCD with backlight
- Key : 8
- Power supply: AC110V~240V 50/60Hz
6v4Ah lead acid battery
- Battery enduring life: 30 hours
- Communication: Zigbee 2.4Ghz
- Distance : 80m
- Transmitter : 6 at most
- Operation temperature : -10°C ~ +40° C