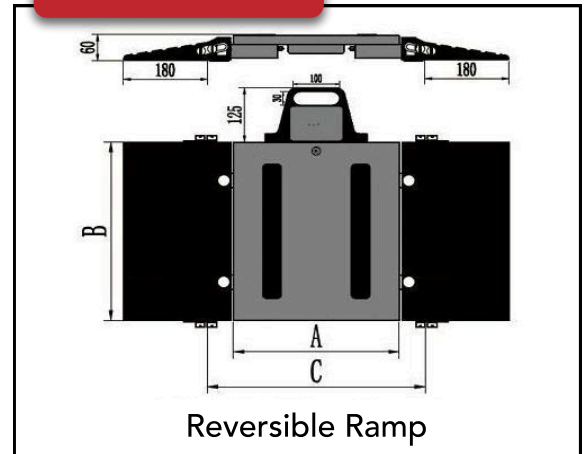


AX-5090

Max Capacity	10t~20t / pad
Division	10kg
Size	500mm x 900mm
Weight (kg)	60kg / pad
Load cells	8

Dimensions:



Types of AXLE WEIGHER

Build-in Display	Wired Indicator	Wireless Indicator
<p>Built-In Display</p>	<p>Indicator Cable Weighing Pad</p>	<p>Indicator Weighing Pad</p>
AX-5090	AX-5090-C	AX-5090-W

Weighing Pad

- wireless weighing plate, suitable for static weighing
- Made of special aluminium, easy to carry and strong in structure, suitable for most working environment
- IP67 1,000Ω high impedance alloy steel load cells
- Can connect up to 6 wireless weighing plate
- Max Transmission distance : 80m
- Built in weighing indicator, Protected by IP67 sealed housing
- Equipped with transmitter and radio modules for data transmission between external devices
- Power supply : Lithium battery (3.7V)
- Special anti-skid rubber at the bottom of the weighing platform
- IP68 connection of Weighing plate, IP68 connector

Display / Indicator

- 6-digit 25mm LCD with backlight
- Key : 8
- Power supply: AC110V~240V 50/60Hz
6v4Ah lead acid battery
- Battery enduring life: 30 hours
- Communication: Zigbee 2.4Ghz
- Distance : 80m
- Transmitter : 6 at most
- Operation temperature : -10°C ~ +40° C