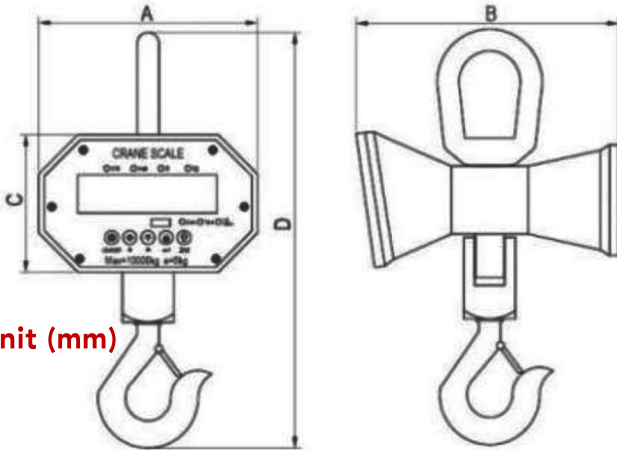


## MHCS 2t - 10t



Model	Max	Min	e
MHCS 2000A	2000kg	20kg	1kg
MHCS 3000A	3000kg	20kg	1kg
MHCS 5000A	5000kg	40kg	2kg
MHCS 10T	10 000kg	100kg	5kg



Unit (mm)



### ⊕ Technical Parameter

- Accuracy class: III
- Display: 5-digit 38mm LED
- Work environment:  $-10^{\circ}\text{C} \sim +40^{\circ}\text{C}$ ,  $\leq 85\% \text{RH}$
- Power supply: AC110~220V 50/60Hz, built-in DC6V/4Ah lead acid battery

### ⊕ Features

- Integrated design, ensure weighing accuracy and strength
- Cast aluminium alloy housing, ensure strength
- Surface is treated with shot blasting, spray paint processing, anti-corrosion
- Hermetically sealed, waterproof structure
- Reinforced alloy steel, ensure overload performance and safety performance