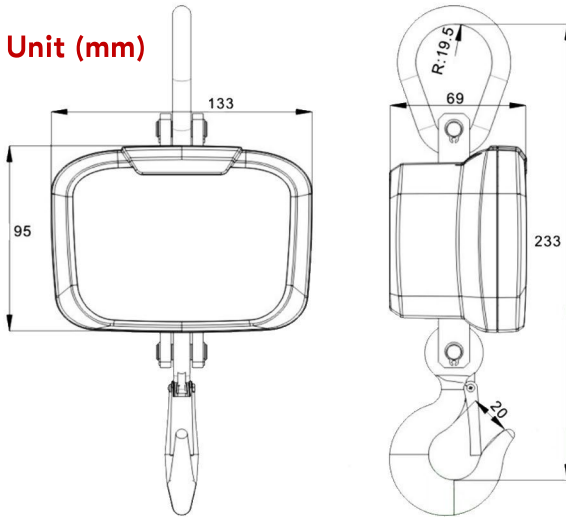


MCS 300

**NATIONAL METROLOGY
INSTITUTE OF MALAYSIA
(SIRIM)
PATTERN APPROVED**

Model	Max	Min	e
MCS 300	300kg	2kg	0.10kg

Unit (mm)



Remote Control

⊕ Technical Parameter

- Accuracy III OIML R76
- Time to stable reading $\leq 8s$
- Maximum safe load 125%F.S.
- Limited overload 400%F.S.
- Overload alarm 100%F.S. +9e
- Surrounding $-20^{\circ}C \sim 60^{\circ}C$, Humidity $\leq 90\%$
- Operating temperature $-10^{\circ}C \sim 40^{\circ}C$



1x USB Rechargeable battery

OR

3x AA Batteries (Not Provided)

⊕ Features

- High strength plastic housing with pleasant appearance
- Superior alloy-steel load cell with good performance of stability and durability
- Low power consumption, high brightness, 5 digit LED display
- Powered by 3pcs AA batteries or a piece of rechargeable 18650 lithium battery
- Optional functions including Unit switch, Hold, Division convert and Peak hold etc.