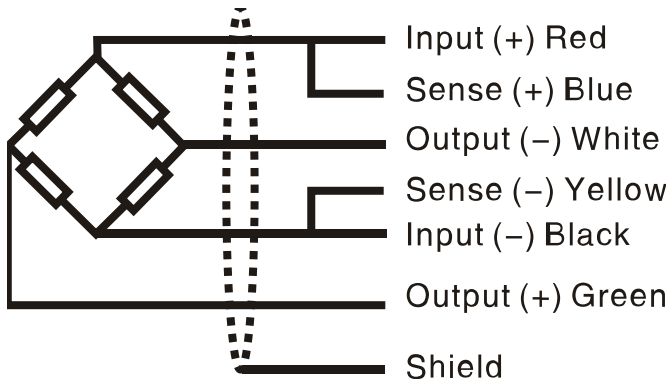
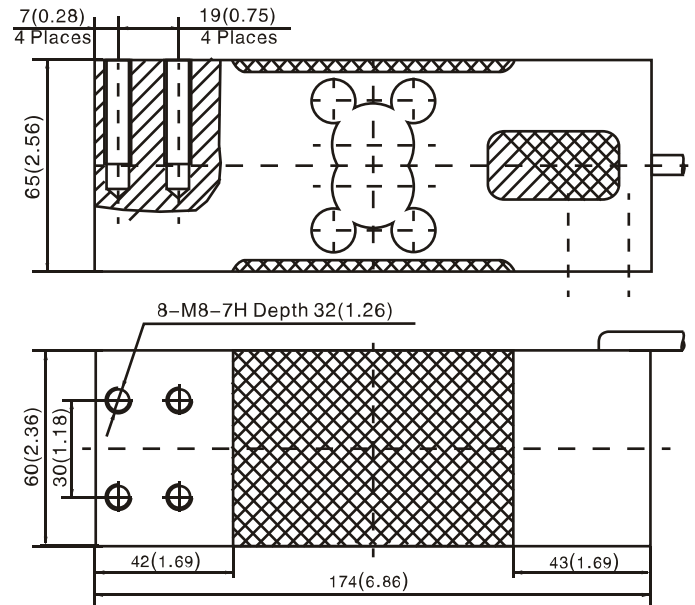


L6G

Capacity: 500kg/600kg



Wiring:

Adopt a shielded, 4 conductor cable, and cable jacket is PVC.

Cable length: 3 ± 0.1 m

Cable diameter: 6 ± 0.2 mm

The shield is connected to the element.

Specifications				
Capacity	kg	50/100/150/200/250/300/500/600		
Accuracy		C3D	C3	C3G
Approvals	n_{max}		OIML R60 C3	
Maximum number of verification intervals	v_{min}	2500	3000	4000
Minimum load cell verification interval		$E_{max}/5000$	$E_{max}/7000$	$E_{max}/11000$
Combined error	(%FS)	$\leq \pm 0.030$	$\leq \pm 0.020$	$\leq \pm 0.015$
Creep	(%FS/30min)	$\leq \pm 0.020$	$\leq \pm 0.0167$	$\leq \pm 0.0125$
Temperature effect on sensitivity	(%FS/10°C)	$\leq \pm 0.021$	$\leq \pm 0.0175$	$\leq \pm 0.0131$
Temperature effect on zero	(%FS/10°C)	$\leq \pm 0.028$	$\leq \pm 0.020$	$\leq \pm 0.0127$
Output sensitivity	(mv/v)	2.0 ± 0.2		
Input resistance	(Ω)	$406 \pm 6/1065 \pm 15$		
Output resistance	(Ω)	$350 \pm 3/1000 \pm 10$		
Insulation resistance	(M Ω)	$\geq 5000(50VDC)$		
Zero balance	(%FS)	2		
Temperature, compensated	(°C)	-10~+40		
Temperature, operating	(°C)	-35~+65		
Excitation, recommended	(V)	5~12(DC)		
Excitation, max	(V)	18(DC)		
Safe overload	(%FS)	150		
Ultimate overload	(%FS)	300		
Corner correction		0.02%load value/100mm		